



T501LEDB-4FT

OUTDOOR LINEAR LIGHT

JOB INFORMATION

Type: _____
 Catalog No: _____
 Project Name: _____
 Comments: _____
 Prepared by: _____

T321LEDB-WS140

USE OF PRODUCT

The intended use of this series is for exterior and semi-exterior architectural applications requiring uniform linear illumination and durable, sealed construction. Suitable for wet location installations where exposure to moisture, humidity, and environmental contaminants is present.

CONSTRUCTION

Precision-formed extruded aluminum housing with a fully sealed IP65 construction for wet-location performance.

FINISH

Durable exterior-grade powder coat finish available in Black or White.

OPTICS

Wide 110° distribution optic with a high-transmission polycarbonate lens delivers smooth, uniform, glare-controlled illumination.

LED

High-performance LED array with color temperature selectable 3000K / 3500K / 4000K CCT, 90 CRI, and an estimated L70 ≥100,000-hour lifespan per IES TM-21 at 25°C.

DRIVER

Integral driver with universal 120–277V input and standard 0–10V dimming. Field-selectable wattage settings provide output flexibility at 50W / 40W / 30W, while maintaining high efficiency, power factor >0.9, and THD <20%.

MOUNTING

Available with surface, wall, or 2 ft. stem pendant mounting options to accommodate a wide range of exterior and semi-exterior installation conditions.

OPTION

Optional straight connector kit allows multiple fixtures to be aligned and connected in continuous linear runs.

LISTINGS/COMPLIANCE/ WARRANTY

- UL/cUL - Suitable for wet locations. (IP65)
- 5-year limited warranty.



ORDERING INFO

SERIES	WATT/LUMENS	COLOR TEMPERATURE	VOLTAGE
T501LEDB-4FT	WS50 - Wattage Selectable (50W, 40W, 30W) S50W - Set at 50W S40W - Set at 40W S30W - Set at 30W	CTS - Color Temperature Selectable (3000K, 4000K, 5000K) S30K - Color Temp. set at 3000K S35K - Color Temp. set at 4000K S40K - Color Temp. set at 5000K	UNV - 120V-277V

FINISH	MOUNTING	OPTIONS
W - White B - Black MTO - Made To Order	SM - Surface Mount PH2W - 2ft. White Pendant PH2B - 2ft. Black Pendant WMW - White Wall Mount WMB - Black Wall Mount	C - Connection Kit

T501LEDB-4FT PERFORMANCE CHART (50W)

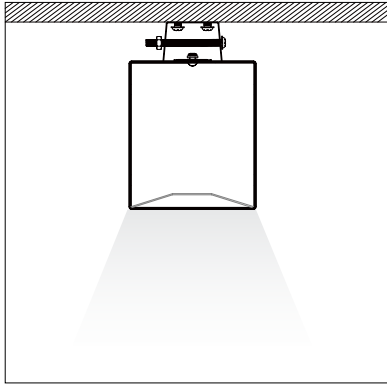
Color Temperature	3000K	3500K	4000K
Delivered Lumens Per Foot	1375 lm/ft	1375 lm/ft	1438 lm/ft
Input Watts Per Foot	12.5 W/ft	12.5 W/ft	12.5 W/ft
Lumens Per Watt	110 lm/W	110 lm/W	115 lm/W



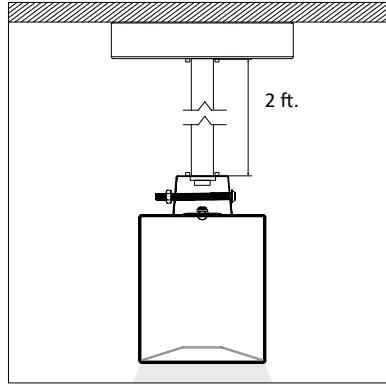
T501 LEDB

4 ft OUTDOOR LINEAR LIGHT

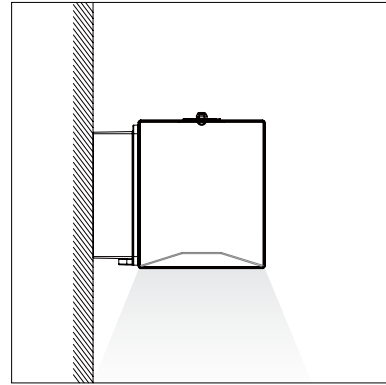
MOUNTING



SURFACE MOUNT

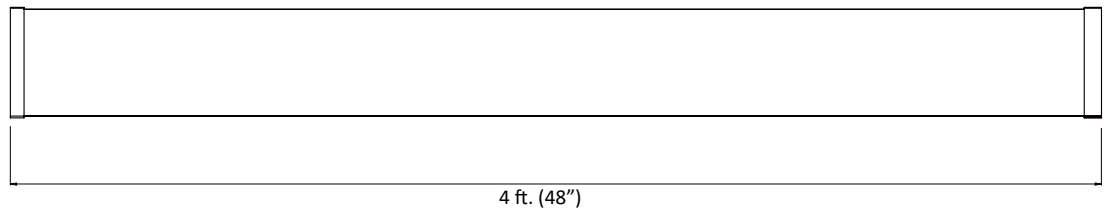
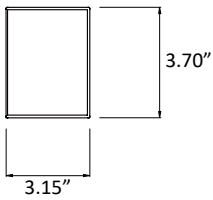


PENDANT MOUNT



WALL MOUNT

DIMENSIONS



OPTIONS

